



# hanit® SERENGETI 3 SET

## The versatile picnic bench

The Serengeti picnic bench is all about the group dynamic. This sturdy bench/table combination is perfect for campsites, holiday villages and youth hostels: wherever people get together, chat and mingle outdoors.

**Material:**

hanit® Recycled Plastic

**Surface:**

Structured, grained

**Dimensions (W x D x H):**

240 x 174 x 76 cm

**Seat height:**

46 cm

**Weight:**

181 kg

**Slats table:**

Classic type

5 table boards 240 x 12 x 4.7 cm

Milled reinforcement

**Slats bench:**

Premium type

6 bench boards 200 x 10 x 4.7 cm

Internal reinforcement

**Advantages:**

With extended table top

Perfect for underriding with the wheelchair

Durable and dimensionally stable

Never paint, varnish or grind again

No risk of injury from splinters

No annoying mothballing in winter (weatherproof)

Fast drying, no water absorption

Resistant to vandalism

**Optional:**

Ground anchor type 3



 Brown

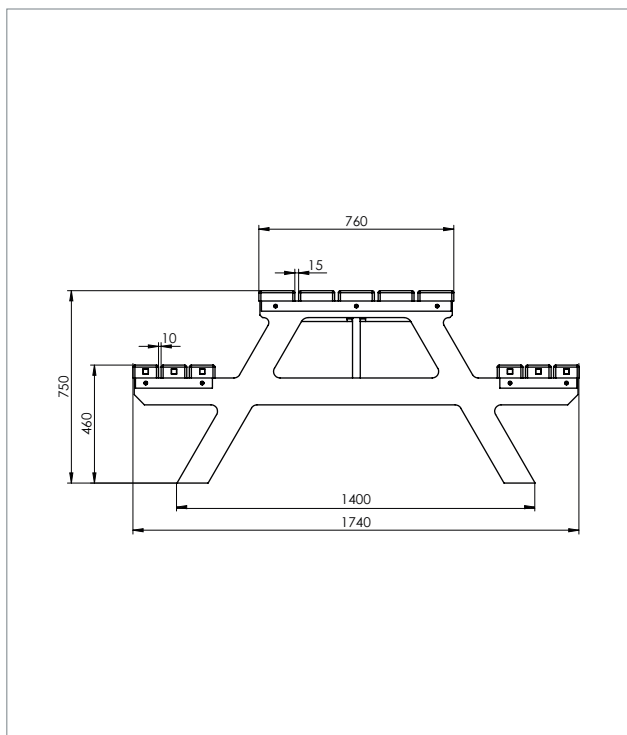


[www.blauer-engel.de/uz30a](http://www.blauer-engel.de/uz30a)

 **MADE IN GERMANY**



**TECHNICAL DRAWING**

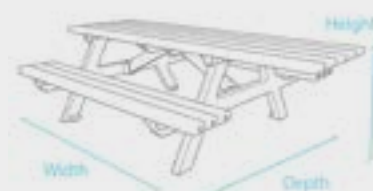


**TECHNICAL DATA**

**Serengeti 3 seating group, width: 240 cm**

Colour	Dimensions W x D x H (approx. cm)	Weight (approx. kg)	Order No
■ Brown	240 x 174 x 75	195.0	SGC 10 200

Benches and tables are delivered as a kit. Assembly instruction and materials are included.



**FURTHER DOCUMENTS PLEASE SEE WWW.HANIT.DE**

- » Assembly Instruction
- » Tender Specifications
- » Tests and Certificates
- » General Material Remarks

